

Design: Anders Nørgaard

Materials

Frame

Inner construction: MDF and veneer
Glue: Bostik Aquagrip 27799

Fabrics

For information about fabrics, see our supplier's webpages:

www.camirafabrics.com
www.gabriel.dk
www.kvadrat.dk
www.spradlingvinyl.com
www.mastrottto.com

Foam

Seat and back: DB33H

Accessories

Linking device

Quality and Environment

At Four Design, we are aware of our environmental responsibility. We strive to reduce our company, and our customer's impact on the environment by producing quality furniture in a sustainable manner.

Procurement

We procure materials from responsible suppliers who comply with our high standards, ensuring that the materials are sustainably sourced and managed, conforming to applicable laws and regulations such as legal logging and chemical restrictions.

Production

We are ISO14001 certified, guaranteeing excellent environmental standards of our manufacturing sites.

Use

Four Design provides a 5-year warranty on all products within our price list. This warranty covers breakage and damage of products occurring because of deficient craftsmanship performance under normal use. The warranty shall lapse if the product shows signs of mishandling abuse or other physical damage. The warranty does not cover those parts of the product which are exposed to abrasion during use.

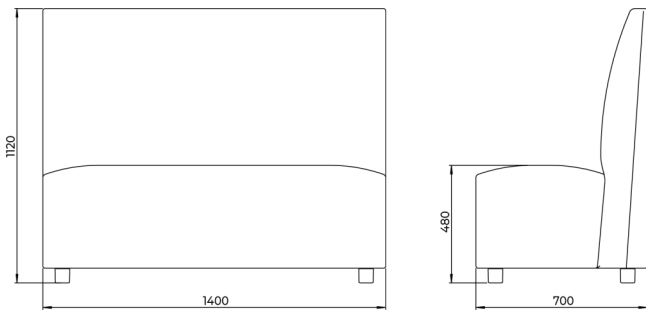
We kindly refer to our Maintenance Guide: http://www.fourdesign.dk/pdf/Maintenance_Guide.pdf

Recycling

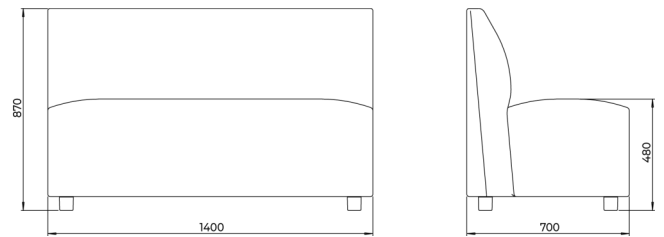
We are working towards the aim for all our products to be minimum 95% recyclable. Products must be separated into their components and disposed of separately. All metal parts can be disposed of and recycled by an approved organisation. Lacquered frames are treated with a paint classified as not dangerous according to directive 1999/45/EF. Wood can either be recycled or incinerated. Plastic shells can be recycled. The shell will be granulated and reused in new plastic production. Upholstery and veneer shells are not recyclable but can be disposed of by incineration.

Design: Anders Nørgaard

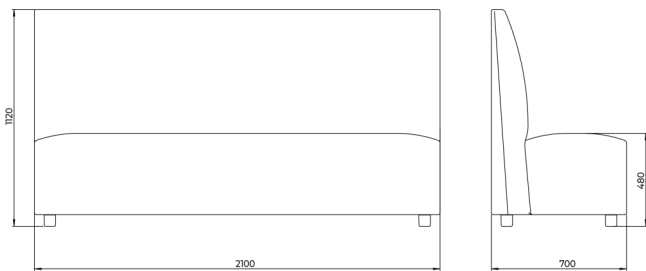
FourLikes Back 1400x1100



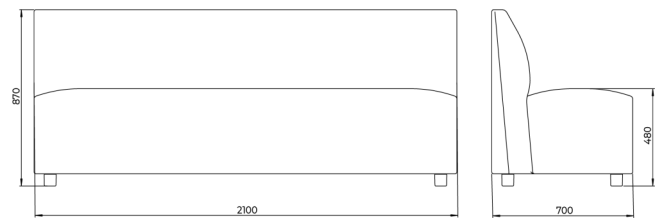
FourLikes Back 1400x850



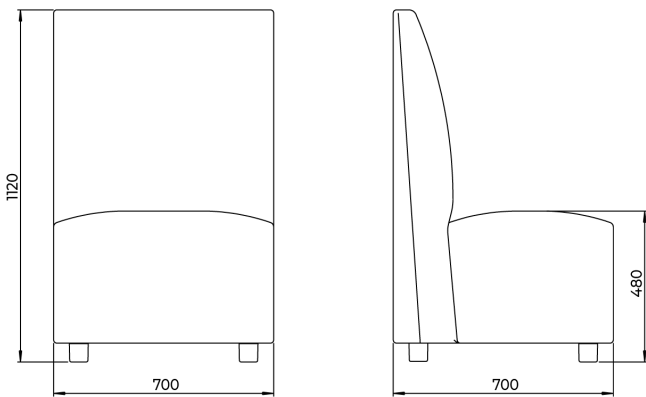
FourLikes Back 2100x1100



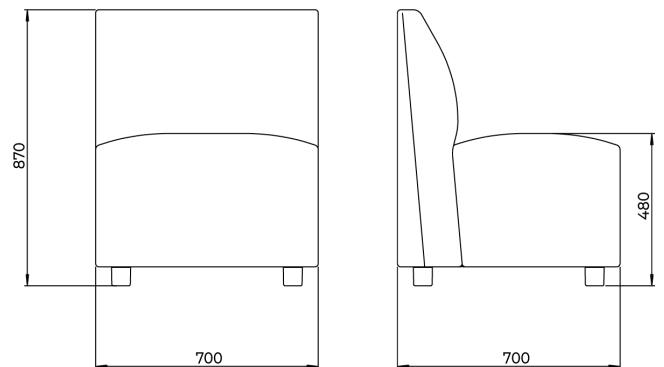
FourLikes Back 2100x850



FourLikes Back 700x1100

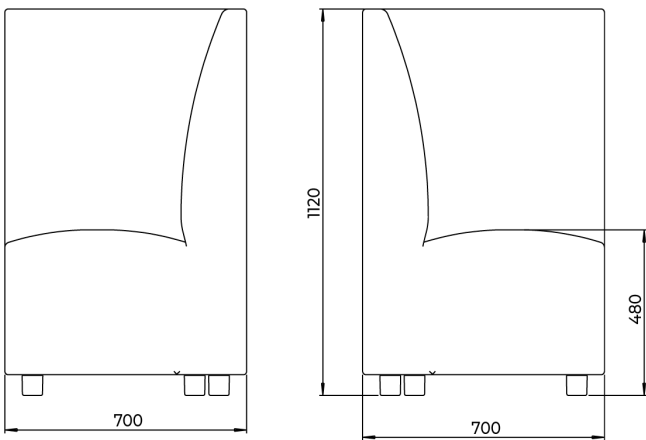


FourLikes Back 700x850

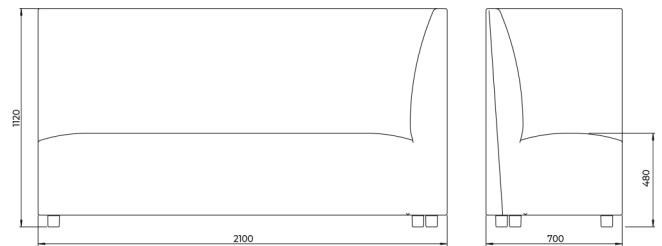


Design: Anders Nørgaard

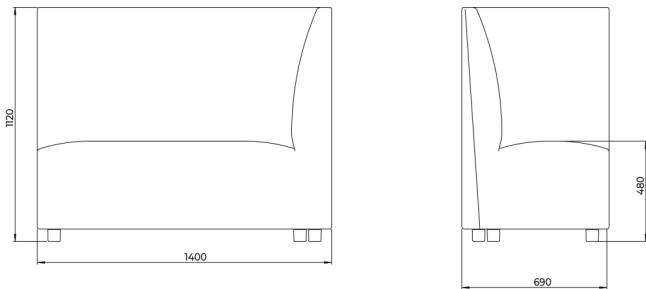
FourLikes Corner High 700



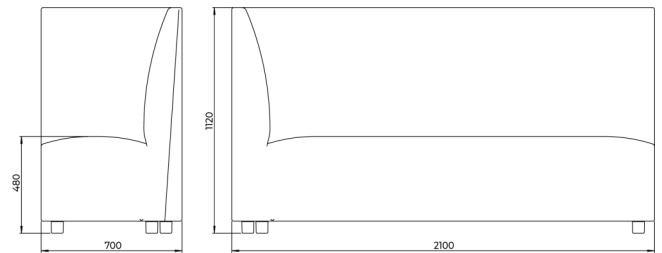
FourLikes Corner High Left 2100



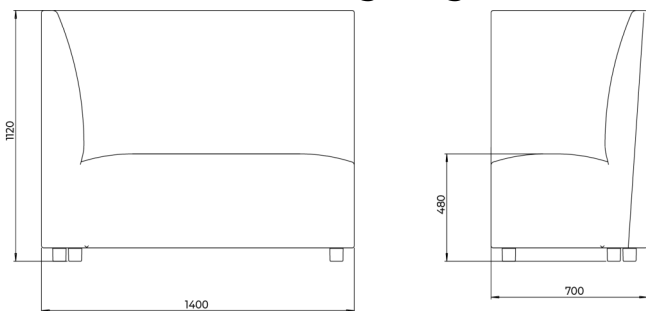
FourLikes Corner High Left



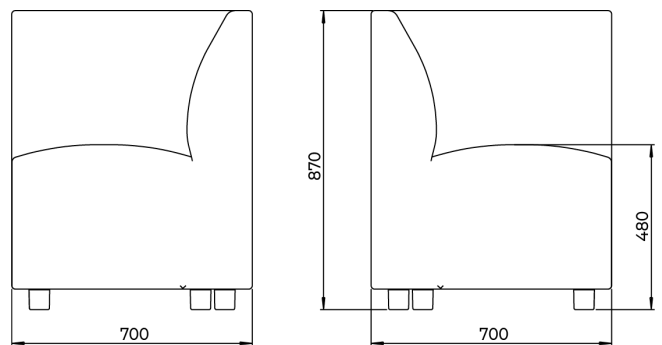
FourLikes Corner High Right 2100



FourLikes Corner High Right

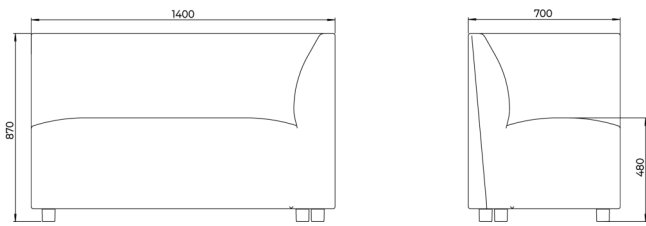


FourLikes Corner Low 700

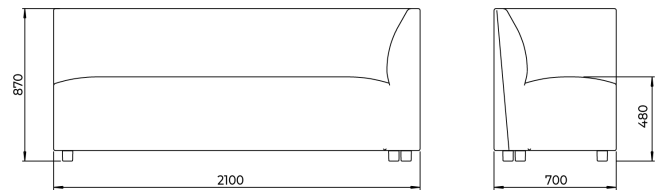


Design: Anders Nørgaard

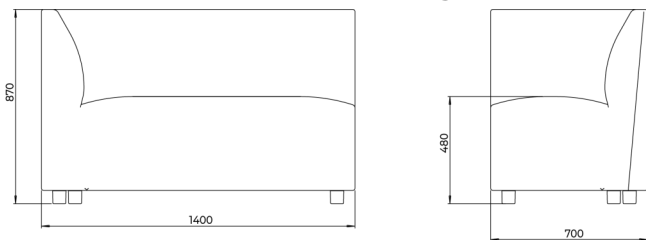
FourLikes Corner Low Left 1400



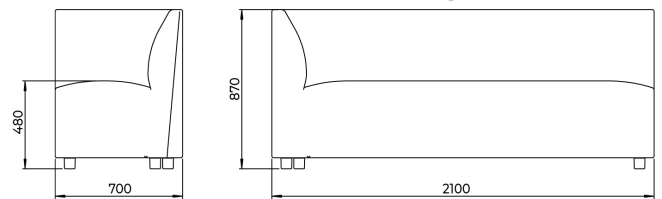
FourLikes Corner Low Left 2100



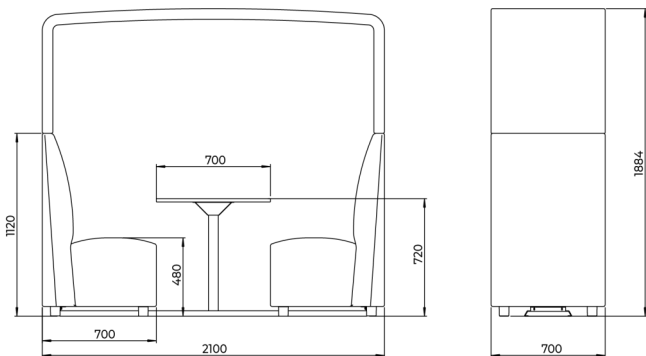
FourLikes Corner Low Right 1400



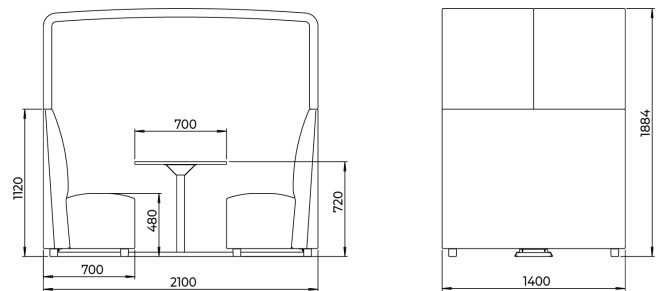
FourLikes Corner Low Right 2100



FourLikes Meet Single Box

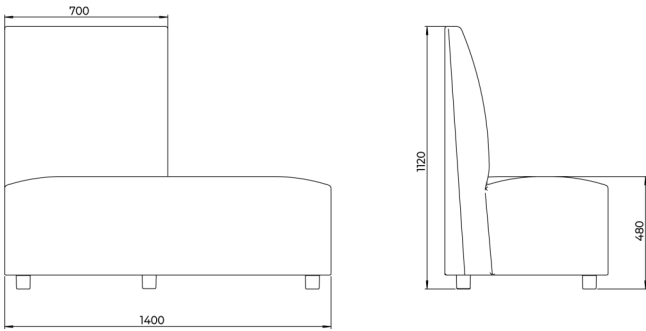


FourLikes Meet

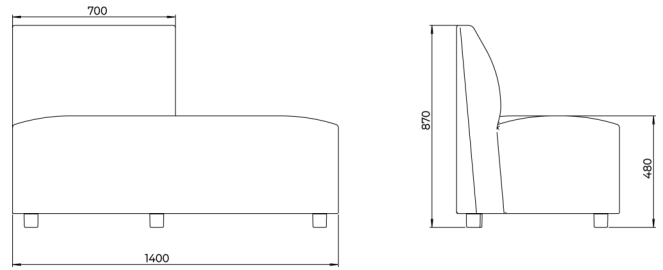


Design: Anders Nørgaard

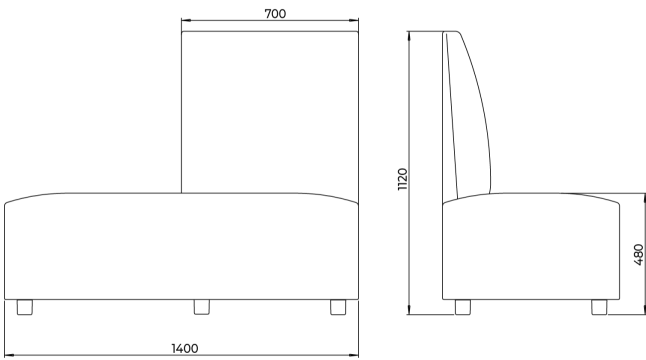
FourLikes Open End Left High Back Right



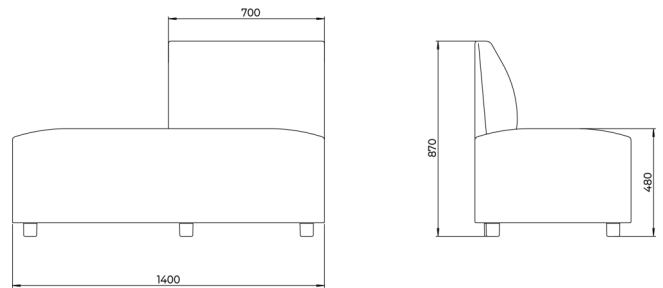
FourLikes Open End Left Low Back Right



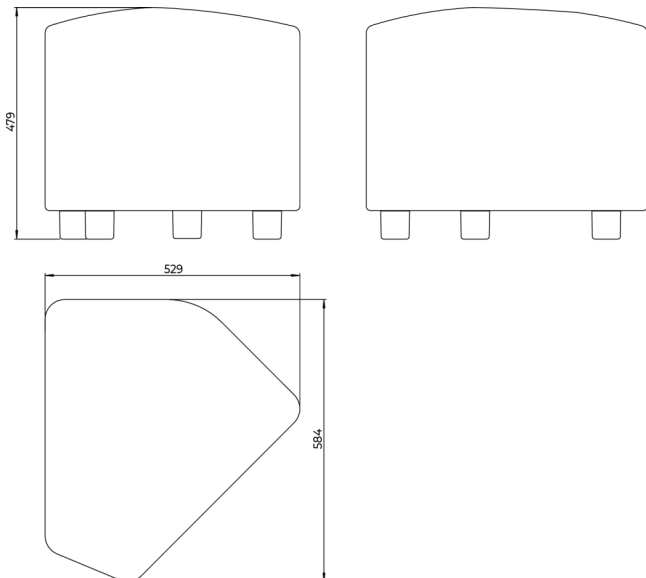
FourLikes Open End Right High Back Left



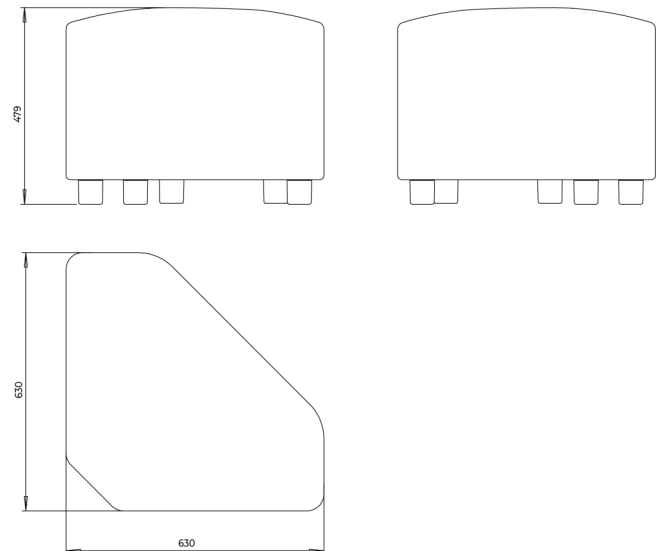
FourLikes Open End Right Low Back Left



FourLikes Scooter 45 degree

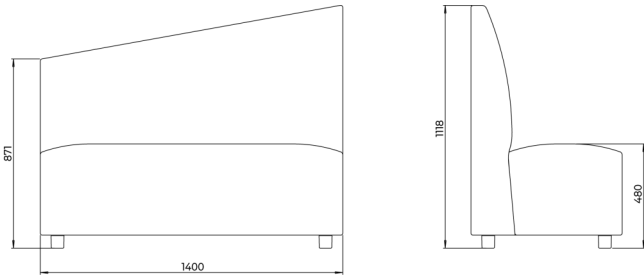


FourLikes Scooter 90 degree

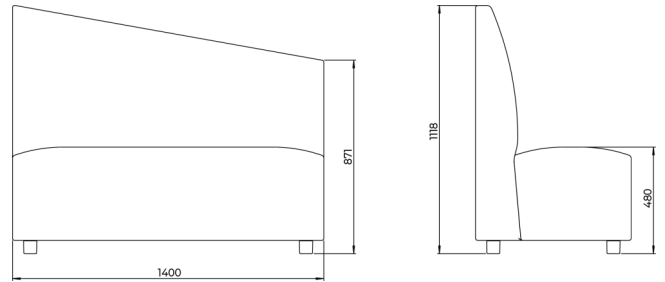


Design: Anders Nørgaard

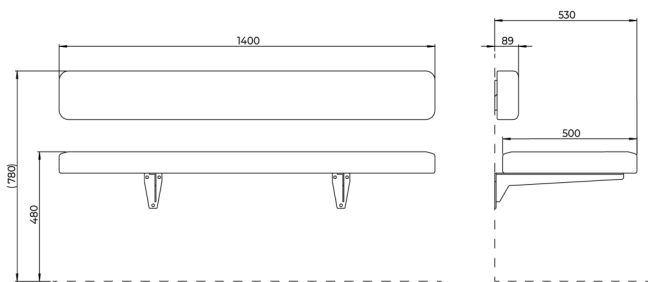
FourLikes Slope High Back Left



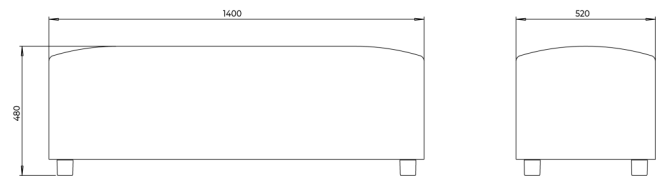
FourLikes Slope High Back Right



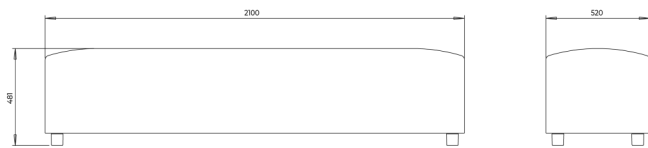
FourLikes Wall mounted Bench 1400



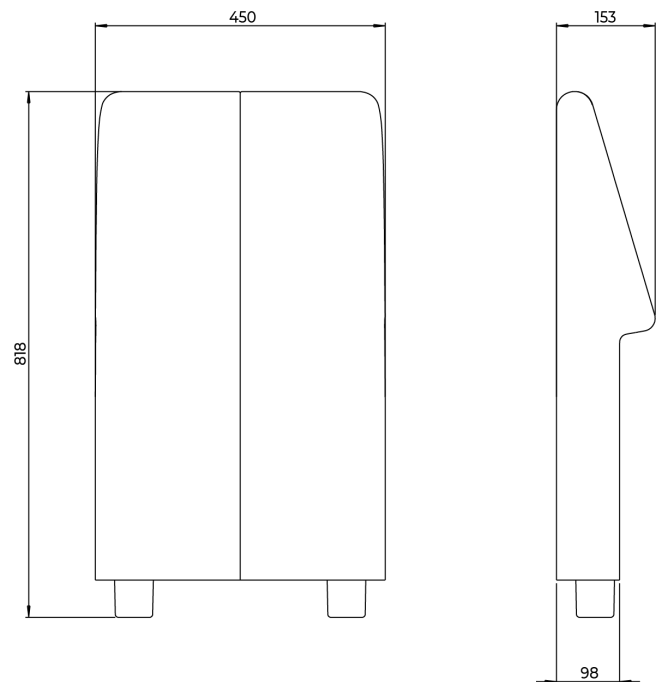
Scooter bench box 1400x520



Scooter bench box 2100x520

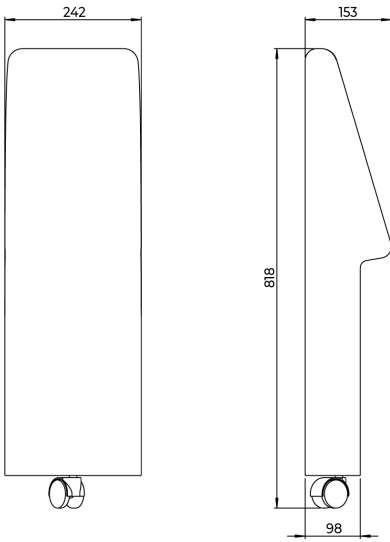


Scooter Double back_loose



Design: Anders Nørgaard

Scooter single back with castor



Scooter square box 520x520

