

Boiserie



SPECIFICATION SHEET

MFC BACK PANELS

18mm melamine faced chipboard (MFC) finished with 1.5mm matching straight ABS impact resistant edges, easy to clean scratch-resistant anti-reflective melamine. Supplied with levelling feet.

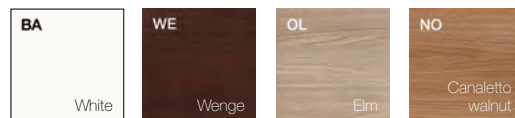
MFC SIDE PANELS

8mm melamine faced chipboard (MFC) finished with matching straight melamine edges, easy to clean scratch-resistant anti-reflective melamine.

MFC HINGED DOORS

18mm melamine faced chipboard (MFC) finished with 1.5mm matching straight ABS impact resistant edges, easy to clean scratch-resistant anti-reflective melamine. Anti-corrosion treated metal hinges allowing 105° door opening, height/width/depth adjustable. All doors supplied with lock with two folding keys with plastic head, except 450H small doors.

Finish options:



LACQUERED MFC BACK PANELS

18mm melamine faced chipboard (MFC) finished with 1.5mm matching straight ABS impact resistant edges, easy to clean scratch-resistant anti-reflective melamine. These panels are supplied with a matt lacquered surface in a variety of colors. Complete with levelling feet.

LACQUERED MFC SIDE PANELS

8mm melamine faced chipboard (MFC) finished with matching straight melamine edges, easy to clean scratch-resistant anti-reflective melamine. Supplied with a matt lacquered surface in a variety of colors.

LACQUERED MFC HINGED DOORS

Lacquered 18mm melamine faced chipboard (MFC) finished with 1.5mm matching straight ABS impact resistant edges, easy to clean scratch-resistant anti-reflective melamine. Anti-corrosion treated metal hinges allowing 105° door opening, height/width/depth adjustable. All doors supplied with lock with two folding keys with plastic head, except 450H small doors.

Finish options:

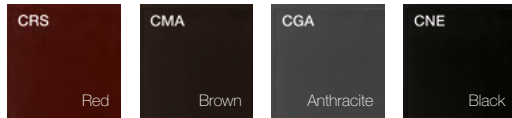


Production lead time: 5 weeks exclusive of delivery time. Apart from the 18 shown finish options any RAL color can be made to order.

LEATHER COVERED HINGED DOORS

18mm melamine faced chipboard (MFC) finished with matching straight melamine edges. The door is covered with 1.3mm abrasion resistant leather finished with matching decorative stitching along the perimeter of the panel. Anti-corrosion treated metal hinges allowing 105° door opening, height/width/depth adjustable. All doors supplied with lock with two folding keys with plastic head, except 450H small doors.

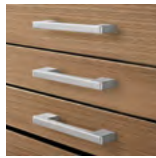
Finish options:



HANDLES FOR MFC HINGED DOORS

Standard metal handle

Zen



Chrome (Y)

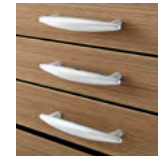
Optional metal handle

Zen



Silver (Z)
White (A)
Anthracite (Q)

Pop



Silver (P)
Chrome (K)

FRAMED GLASS DOORS

4mm tempered translucent white glass framed hinged doors, anodized silver finish aluminium frame, polished chrome finish available as an optional extra. Anti-corrosion treated metal hinges allowing 105° door opening, height/width/depth adjustable. All doors supplied with lock with two folding keys with plastic head, except 450H small doors.

Glass finish options:



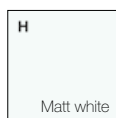
Frame finish options:



GLASS SHELVES

10mm tempered extra white glass, painted and scratch resistant underside, satin fingerprint-proof top surface, smooth polished edges with 45° bevel and radius corners.

Finish options:



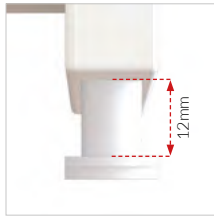
UPRIGHTS AND BEAMS

Uprights made of extruded aluminium and beams of die-cast aluminium alloy, both supplied in three finish options: polished chrome effect, epoxy powder coated, soft touch fingerprint/scratch resistant matt polyester paint. Uprights upper end is finished with a chrome ABS end cap.

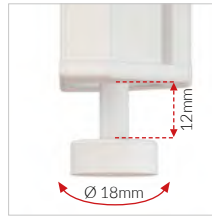
Finish options:



LEVELLING FEET



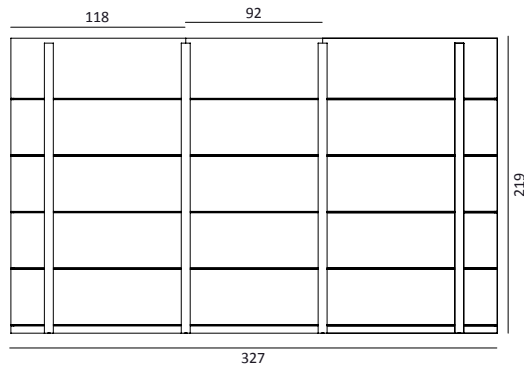
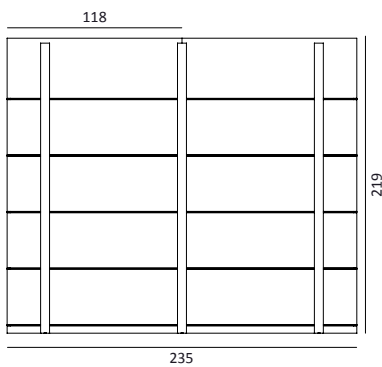
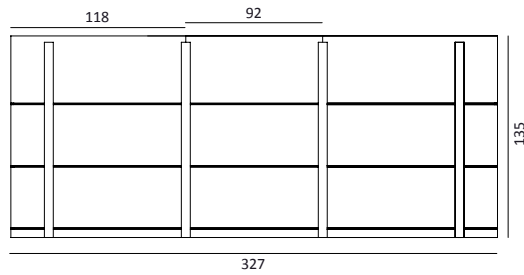
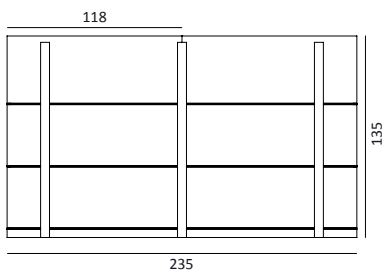
Back panels:
0-12mm
adjustable levelling
feet made of
zamak, size
18.5x25mm



Uprights: 0-12mm
adjustable levelling
feet made of
polyethylene, 18mm
diameter.

LAYOUT

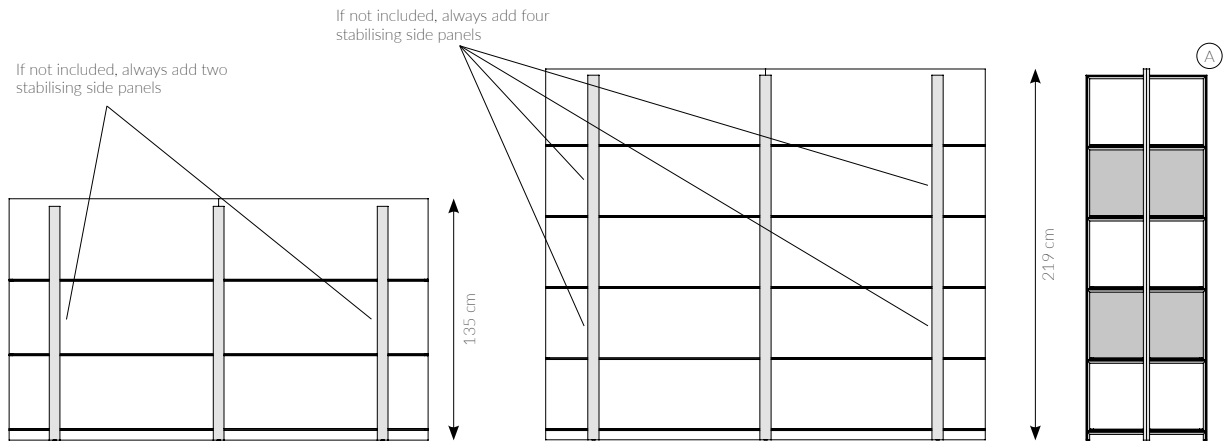
EXAMPLES OF CONFIGURATIONS



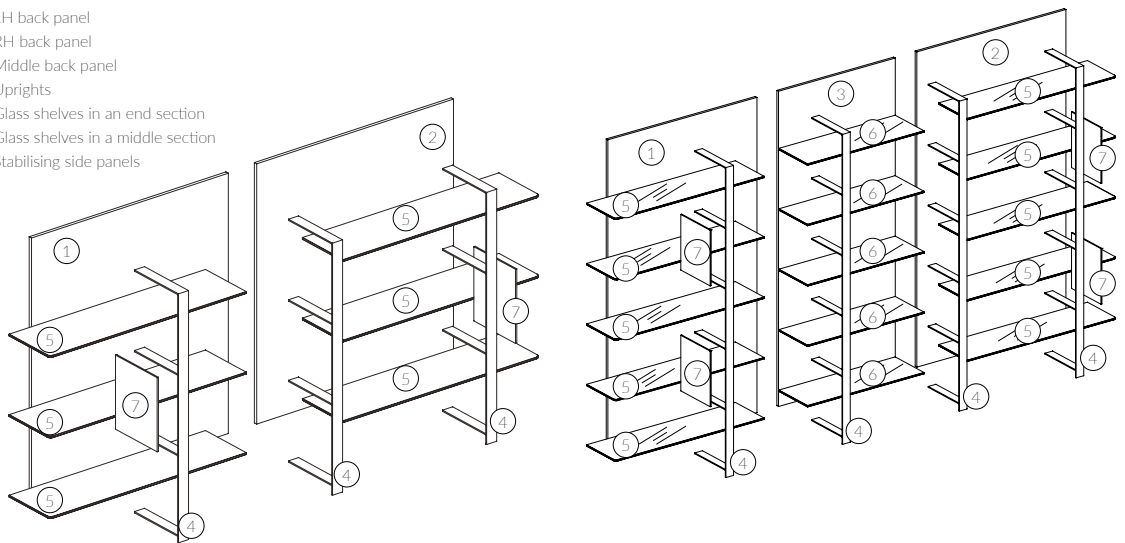
TECHNICAL FEATURES

The Boiserie bookcase is available in two heights, 1350 and 2190mm and, thanks to its modular design, in a wide variety of length options. The components to construct Boiserie are back panels, uprights, shelves and side panels. Side panels must be specified to provide stability. The self-supporting uprights allow to place two Boiserie back to back as shown in Figure A.

Please note: we recommend to anchor Boiserie to the wall wherever necessary.



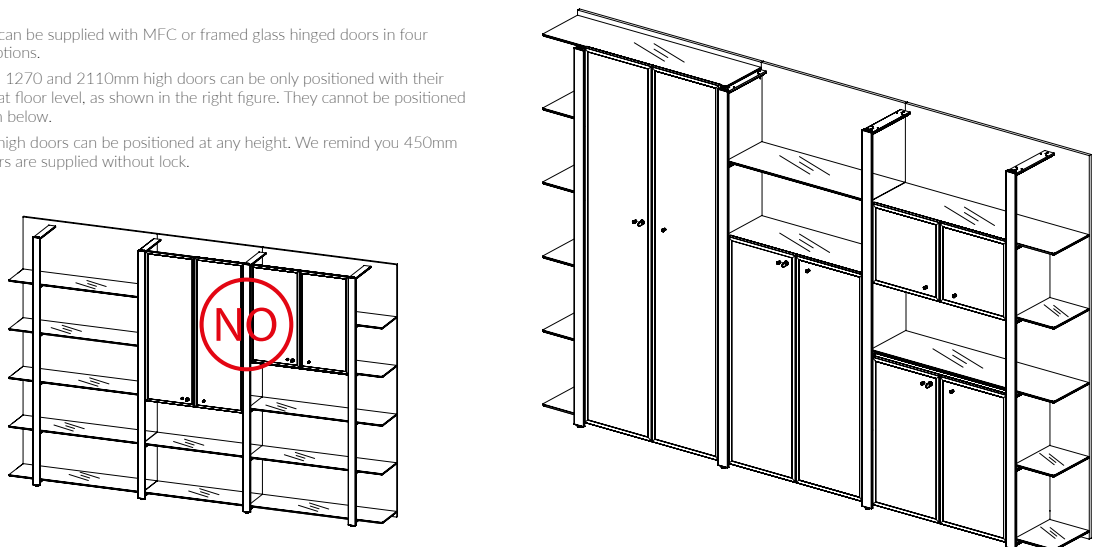
- 1) LH back panel
- 2) RH back panel
- 3) Middle back panel
- 4) Uprights
- 5) Glass shelves in an end section
- 6) Glass shelves in a middle section
- 7) Stabilising side panels

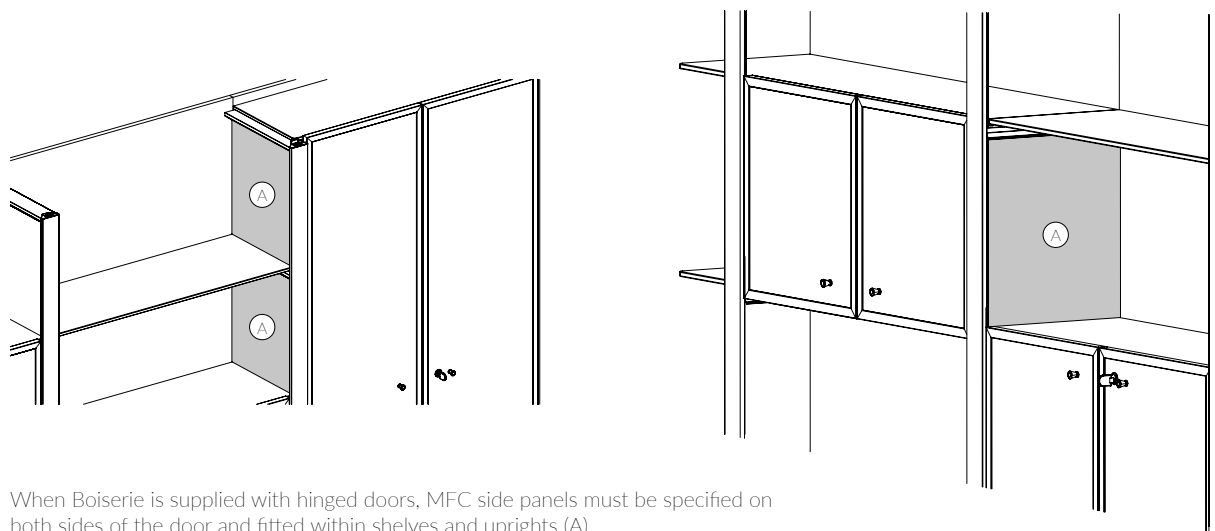
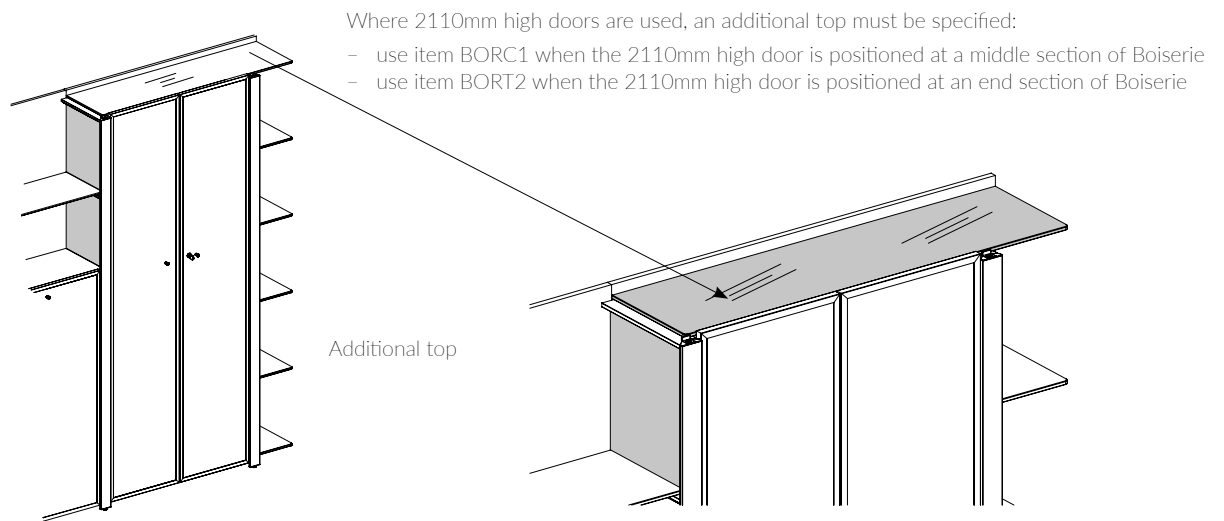


Boiserie can be supplied with MFC or framed glass hinged doors in four height options.

The 830, 1270 and 2110mm high doors can be only positioned with their low end at floor level, as shown in the right figure. They cannot be positioned as shown below.

450mm high doors can be positioned at any height. We remind you 450mm high doors are supplied without lock.





When Boiserie is supplied with hinged doors, MFC side panels must be specified on both sides of the door and fitted within shelves and uprights (A).

Side panels can be specified even without hinged doors as space dividers.

Please note: pre-priced Boiserie configurations already include side panels, if hinged doors are added to the configuration remove the side panel in excess if any.

SUSTAINABILITY & CERTIFICATIONS



MATERIALS AND RECYCLABILITY

Panels used on Boiserie range are exclusively 100% made by recycled wood and respect low formaldehyde emission (CATAS certification Quality Award Formaldehyde E1). Resins used on panels and melamine paper are SVHC substances free (reported on ECHA list update to 12/01/2017).



STANDARDS

Boiserie range has passed the following tests, attested by **CATAS** analysis laboratory in San Giovanni al Natisone (UD).

- **EN 717-2:1994** Rilascio di formaldeide
- **EN 12721:1997** Resistenza al calore umido
- **EN 12722:2009** Resistenza al calore secco
- **EN 13721:2004** Surface reflectance
- **EN 13722:2004** Surface specular reflection
- **EN 8941-2:1987** Determinazione strumentale del colore
- **UNI 9242:1987** Resistenza dei bordi al calore
- **UNI 9300:1989** Tendenza a ritenere lo sporco
- **UNI 9428:1989** Resistenza alla graffiatura
- **UNI 9429:1989** Resistenza agli sbalzi di temperatura
- **UNI EN 15187:2007** Resistenza alla luce
- **UNI 10460:1995** Resistenza dei bordi all'acqua
- **UNI EN 15185:2011** Resistenza all'abrasione
- **UNI EN 15186:2012, MET.B** Resistenza alla graffiatura (sostituisce norma UNI 9428:1989, ritirata)
- **UNI EN 15185:2011** Resistenza all'abrasione
- **EN 12720:2013** Resistenza delle superfici ai liquidi freddi



CERTIFICATIONS

Constantly receptive to market requirements, Quadrifoglio Group pay special attention on quality and safety contents in order to provide high products and services. The Company has reached certifications UNI EN ISO 9001/2008, UNI EN ISO 14001/2004 and BS OHSAS 18001/2007 to confirm his policy. Our products are certified and ensured by FSC™ and ECOLOGICAL PANEL.

COMPANY WITH
MANAGEMENT SYSTEM
CERTIFIED BY DNV GL
= ISO 9001 =
= ISO 14001 =
= OHSAS 18001 =



GREEN ENERGY

The Company had installed the photovoltaic system with 4.500 solar panels in a 7.350 m² surface that covers almost entirely the factory. The photovoltaic is able to produce 1Mw of a quiet green energy, that does not harm the environment and is waste-free. With his high production capacity the photovoltaic allows us to reduce emissions in the atmosphere of all those polluting substances and to those that contribute to the greenhouse effects. Consequently, such measures make us save every year 180 tonne of petrol oil, 440 tonne of CO₂, 514kg of sulphur dioxide, 448 kg of nitrogen oxide and 23kg of dust.



TRANSPORT

Packaging is reduced in order to decrease volumes. Goods collections are responsibly managed and organised with the aim of optimise transports, reducing atmosphere emissions.